

## Specification

### Electrical properties

#### LTE

Antenna type	¼ λ mobile antenna
Frequency	690 ÷ 960 MHz, 1710 ÷ 1880 MHz 1850 ÷ 1990 MHz, 1920 ÷ 2700 MHz
Impedance	50 Ohm
Polarization	vertical
Emission	omnidirectional
Gain	3.5 dBi
Max Power	100 Watt
V.S.W.R.	690 ÷ 960 MHz - less than 3.0 1710 ÷ 2700 MHz - less than 2.4

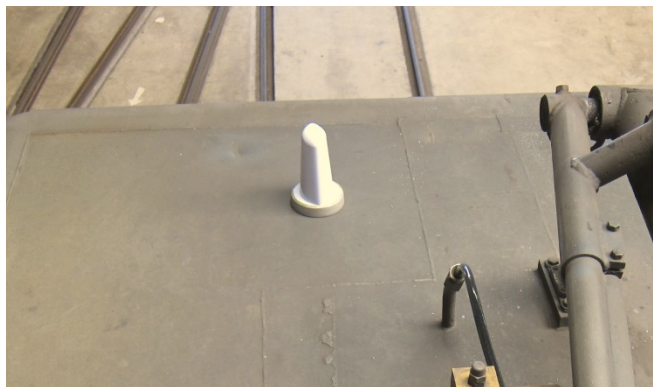
#### GPS

Antenna type	active planar patch antenna
Frequency	1575.42 MHz
Bandwidth	±1.023 MHz
Impedance	50 Ohm
Polarization	RHCP
Supply voltage	2.7÷5.1 V
Current absorption	12mA±1 at 2.7V 23mA±1 at 5.1V
Gain amplifier	20dB ±1 at 2.7V 23dB ±1 at 5.1V
Gain patch antenna	2 dB
Noise figure	1.7÷2.1 dB

#### W-LAN

Antenna type	¼ λ mobile antenna
Frequency	2400 ÷ 2485 MHz 5250 ÷ 5850 MHz
Impedance	50 Ohm
Max Power	10 Watt
V.S.W.R.	2400 ÷ 2485 MHz - less than 2.0 5250 ÷ 5850 MHz - less than 3.0
Polarization	Vertical
Emission	Omnidirectional
Gain	2.14 dBi

## Photos



## Mechanical properties

Antenna cable

LTE - no cable

GPS - RG316 180mm ± 20mm

WLAN - RG316 180mm ± 20mm

Connector

LTE - N female

GPS - SMA female

WLAN - SMA male

Material

Base - Aluminium alloy EN AW -0682

Radome - Polycarbonate - UL 94 V 2

Dimension

106\*160mm

Build in depth

Approx. 17mm

Mounting

according to FEDERTRASPORTI 00104/5

Temperature

-40°C - +80°C

Net weight

850g

## Certification

DIN EN-50155:2008-03

DIN EN-60068-2-1:2008-01

DIN EN-60068-2-30:2006-06

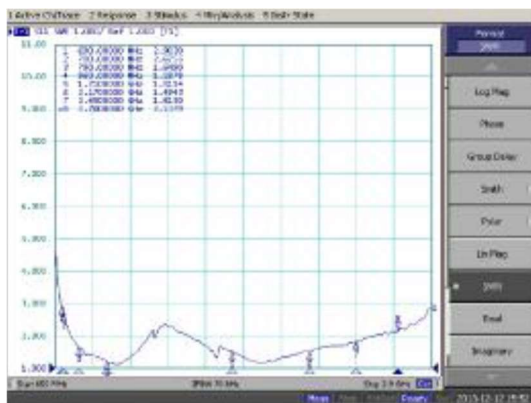
DIN EN-60068-2-2:2008-05

DIB EN-61373:2010-04 category 1 class A

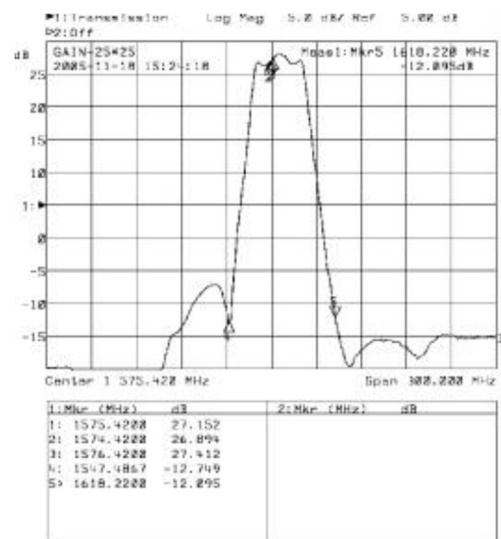
DIN EN ISO 9227:2012-09

## Diagrams

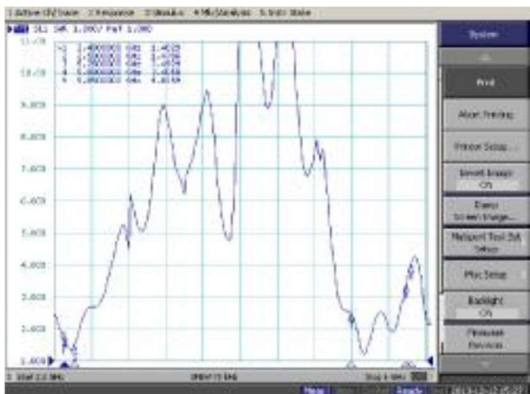
V.S.W.R curve LTE



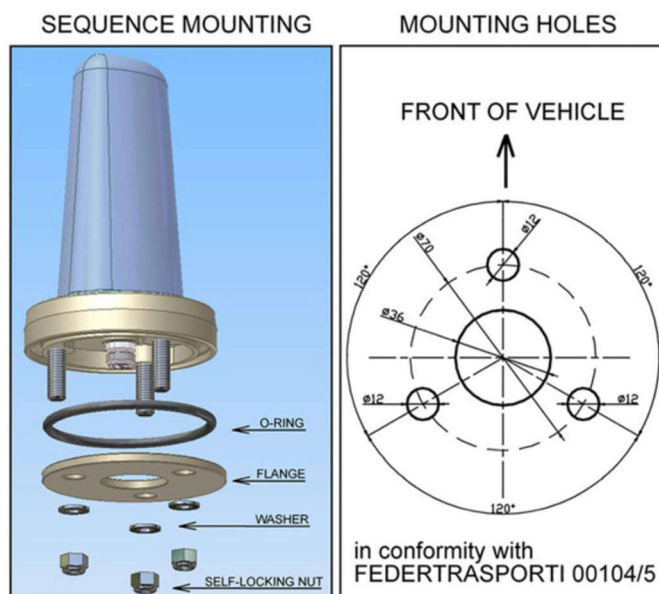
V.S.W.R curve GPS



V.S.W.R curve WLAN



## Assembly drawing



## Ordering info

E-mail  
Fax number

[sales@proscan-antenna.com](mailto:sales@proscan-antenna.com)

0048 22 812 41 41

[www.proscan-antenna.com](http://www.proscan-antenna.com)