

Specification

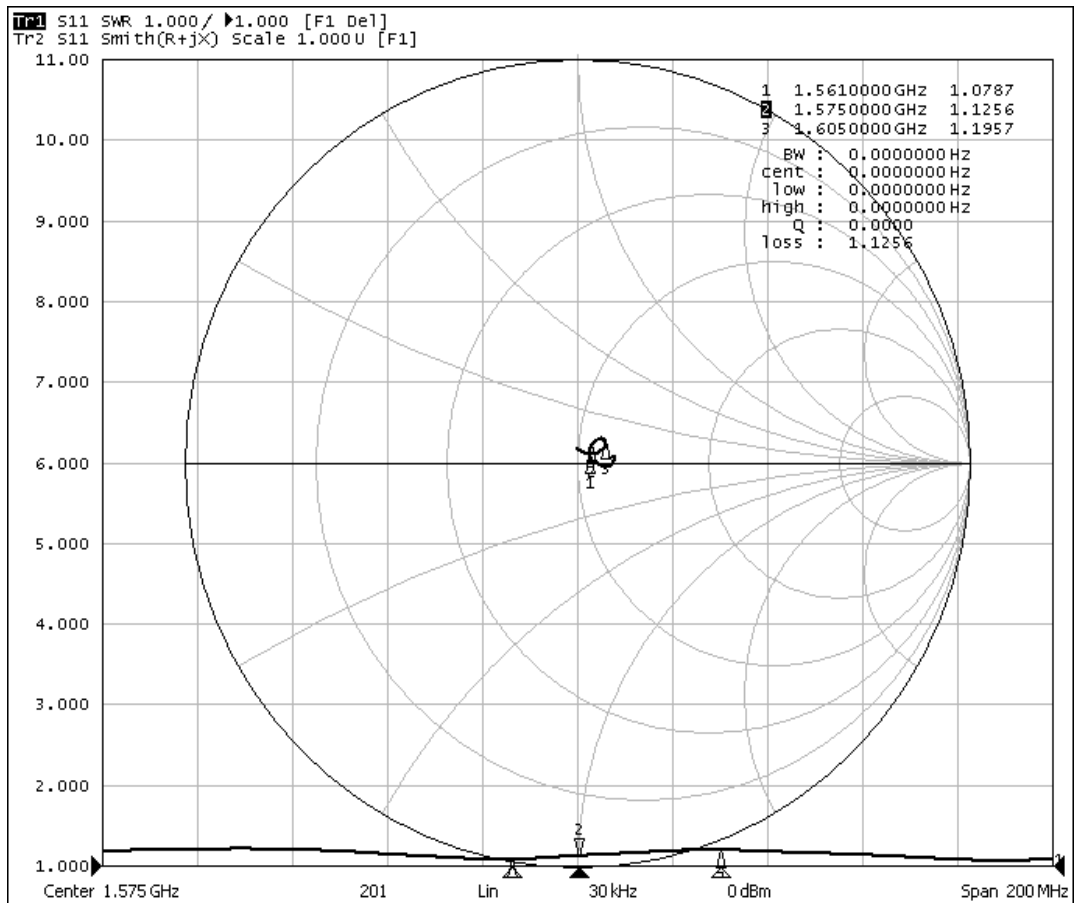
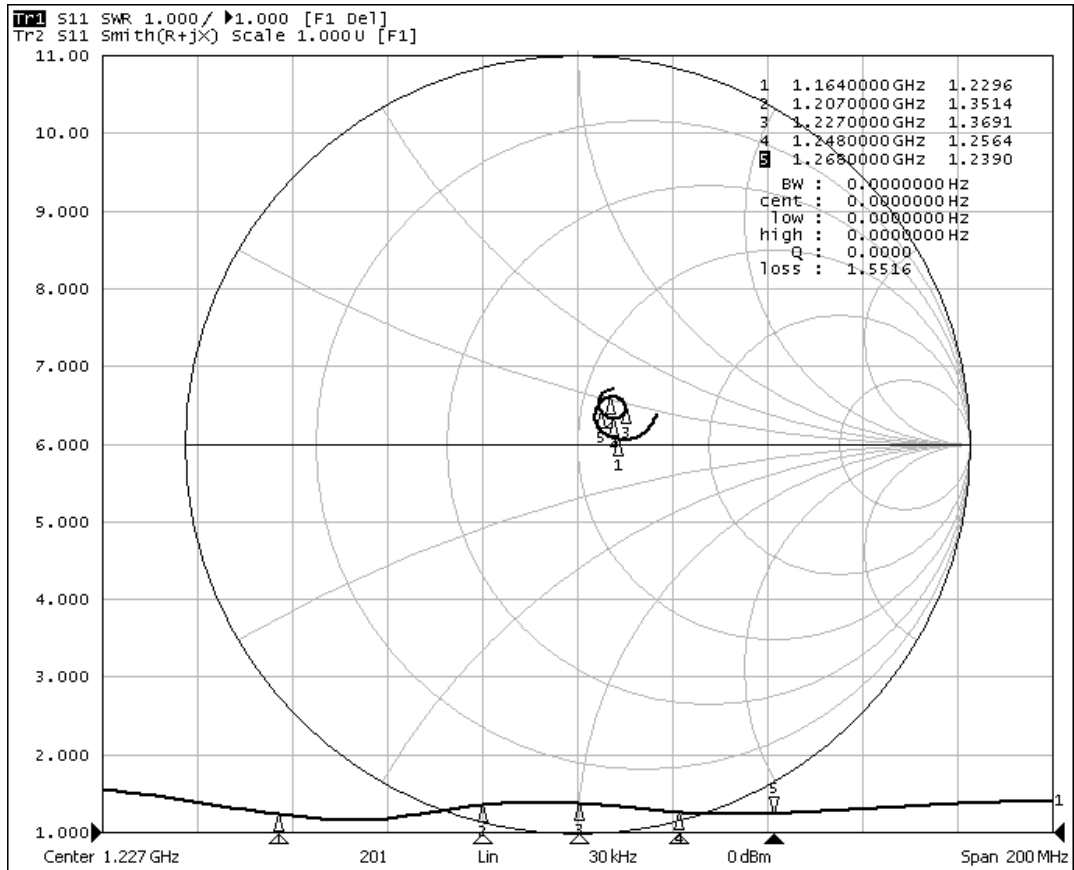
1.1 Antenna		
1	Antenna Model	001373
2	Frequency Range	GPS:L1/L2/L5 BEIDOU:B1/B2/B3 GLONASS:L1/L2
3	Impedance	50Ω
4	Polarization	RHCP
5	V.S.W.R	1.5:1
6	Gain	4.5dBic : at Zenith -4.0dBic : at 20° Elevation
7	Phase Center	≤2mm
8	Axial Ratio	≤2.0 : at Zenith ≤4.0 : at 20° Elevation
9	Front-to-rear Ratio	≥20dB
1.2 LNA		
1	Frequency Range	GPS:L1/L2/L5 BEIDOU:B1/B2/B3 GLONASS:L1/L2
2	DC Voltage	3.0 ~ 9.0V
3	Gain	28±3dB
4	Out band Rejection (Absolute value)	≥35dB(F _H +100MHz) ≥35dB(F _L -100MHz)
5	Output (VSWR)	2.0
6	Noise Figure(MAX)	1.5
7	DC current	≤45mA (36mA@3.3V)
1.3 Overall (Complete module including RF connector)		
1	Frequency Range	GPS;BEIDOU;GLONASS
2	Output (VSWR)	2.0
3	Gain	32dB
4	Impedance	50Ω

Ordering info

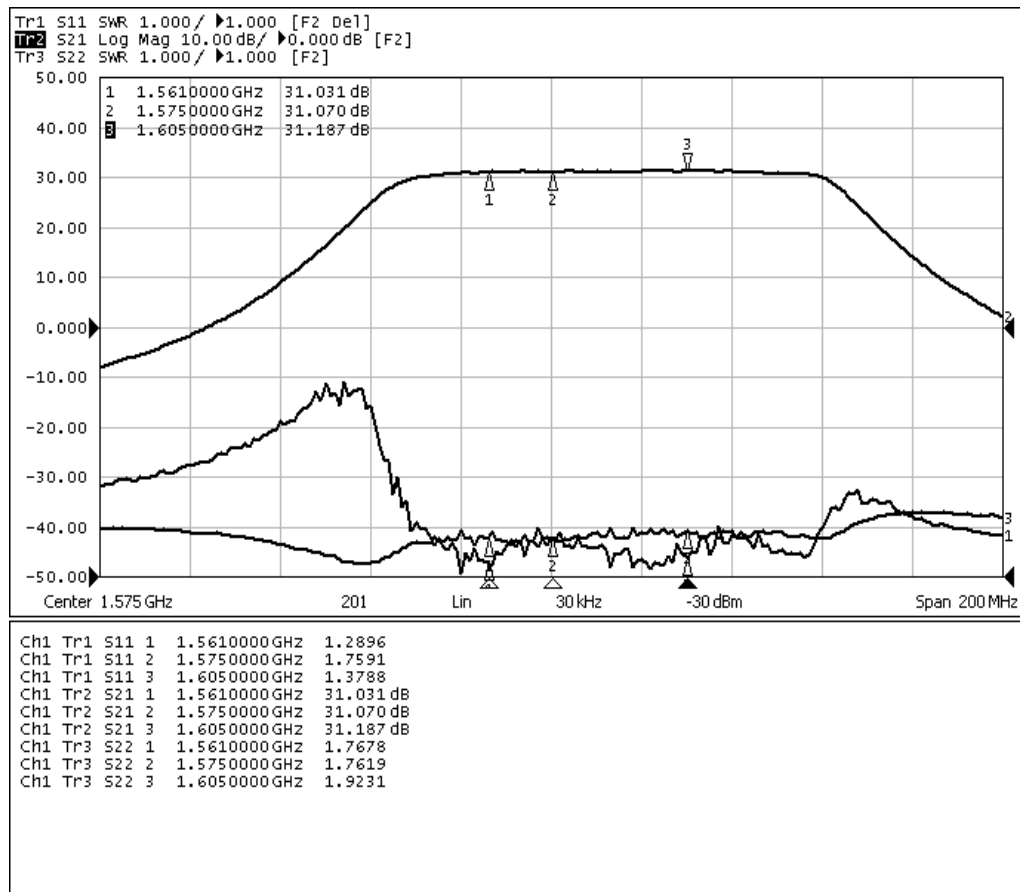
E-mail
Fax number

sales@proscan-antenna.com
0048 22 812 47 98

Patch test curve



LNA test curve



Structure

