

Specification**Electrical properties**

Frequency	600-698	698-824	800-960	1400-2170	2170-3200	3200-6000
Gain	3.2dBi	3.0dBi	3.4dBi	4.5dBi	4.0dBi	5.8dBi
VSWR	<1.8	< 1.3	< 1.4	< 1.4	<1.6	<1.8
Impedance						50 Ω
Polarization						Vertical
H-plane						360° / Omni
E-plane						85° \pm 20°
Maximum input power						50W

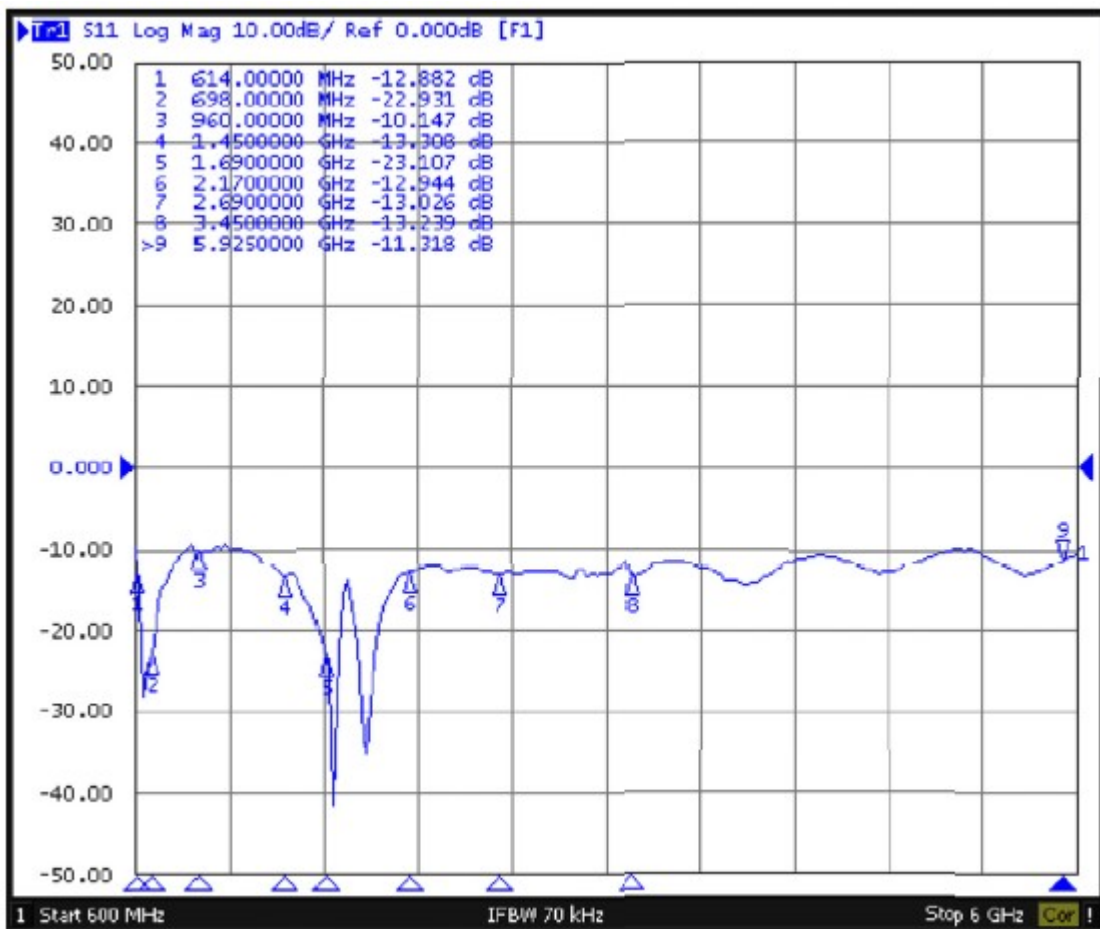
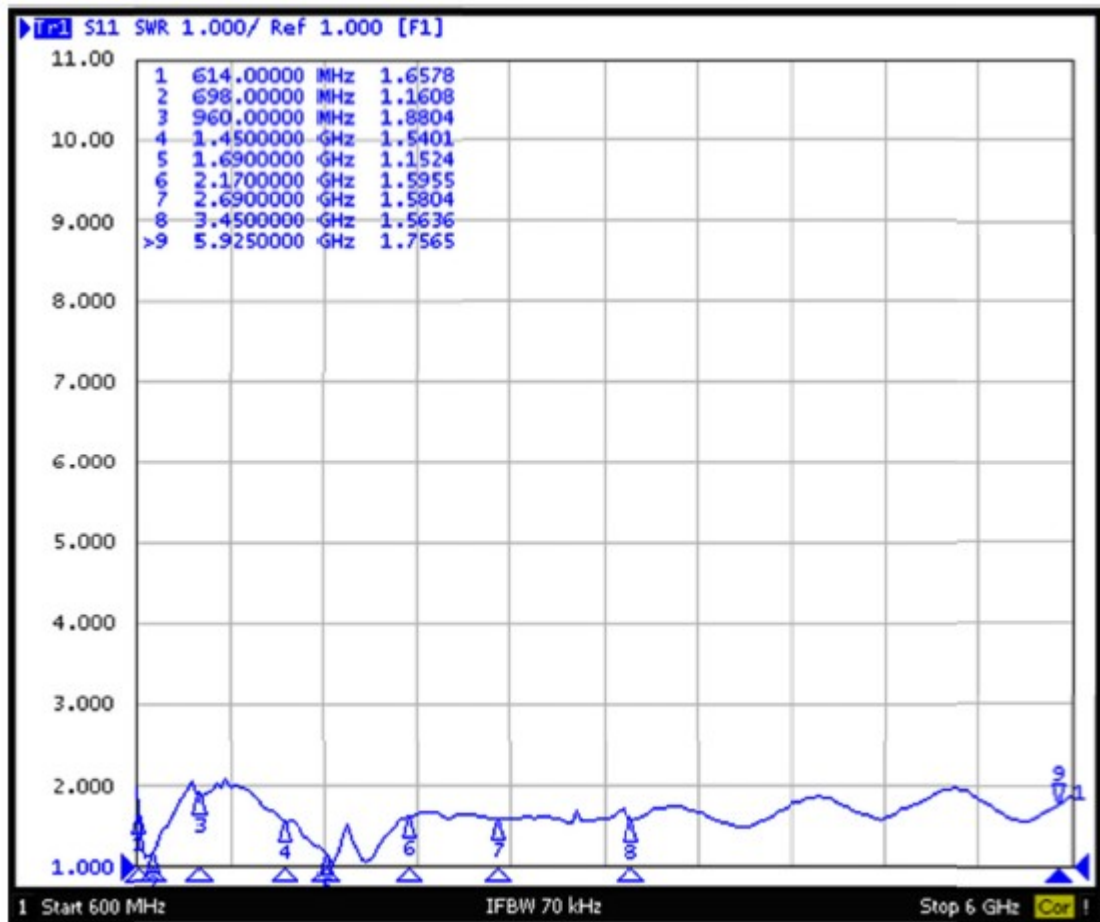
Mechanical properties

Dimensions	$\Phi 64 \times 199 \text{mm}$
Operating temperature	-45°C to +75°C
Antenna color	White
Cable	5m, 10m or customized
Connector type	SMA F / N F + optional wire
Weight	0.6kg

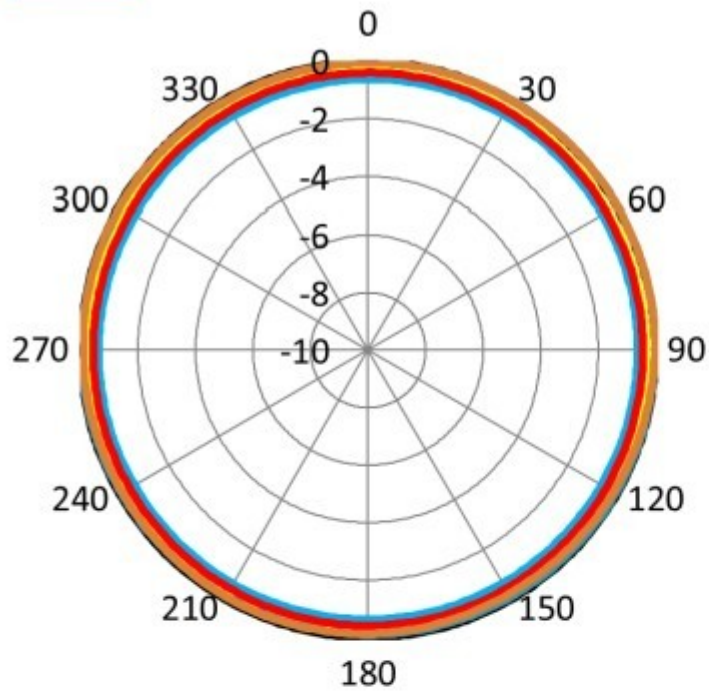
Photos**Ordering info**

E-mail
Fax number

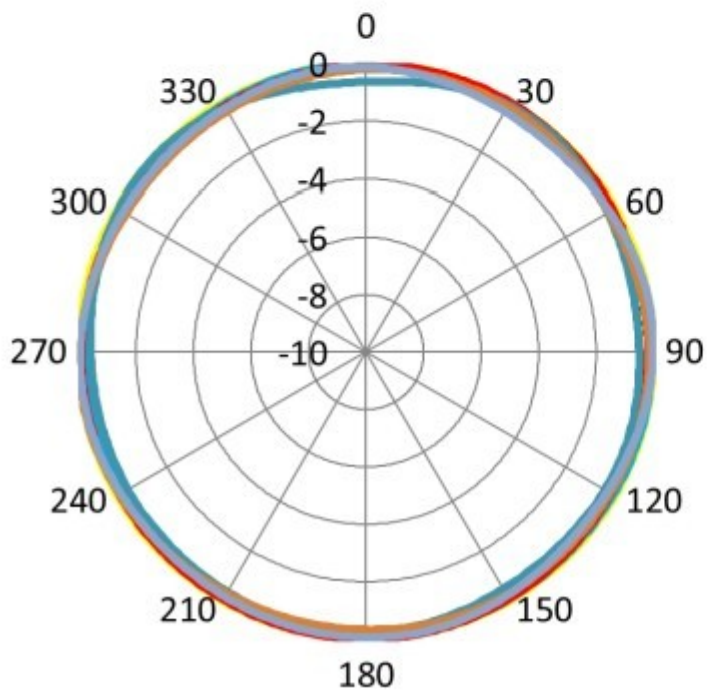
sales@proscan-antenna.com
0048 22 812 47 98



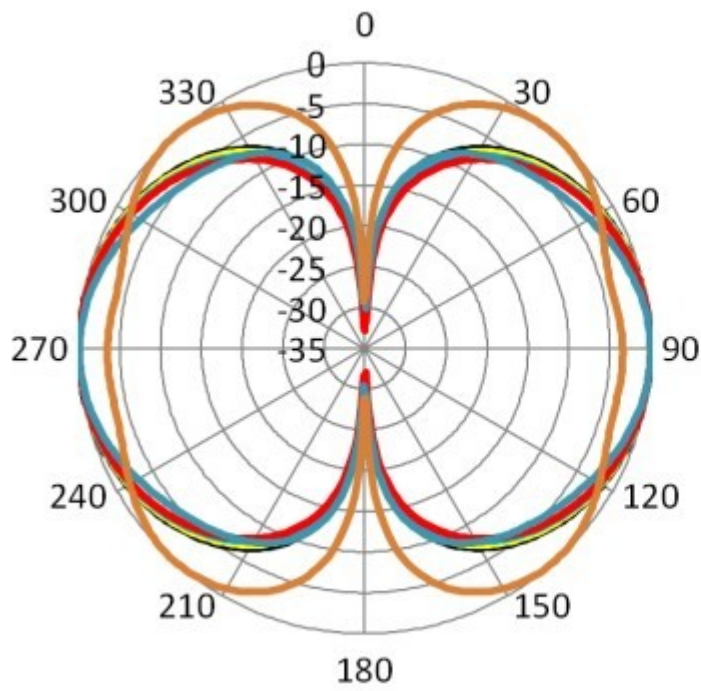
H-PLANE



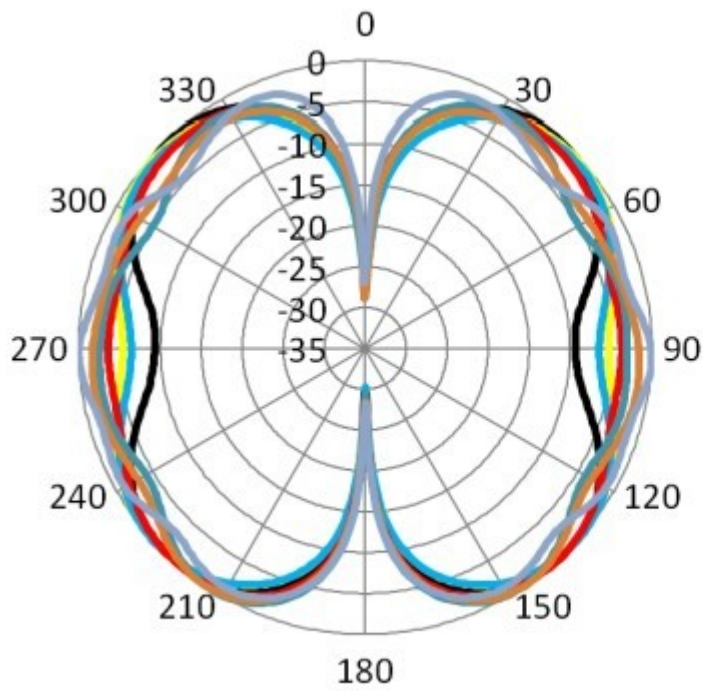
- H 617MHz
- H 750MHz
- H 890MHz
- H 960MHz
- H 1710MHz
- H 2170MHz



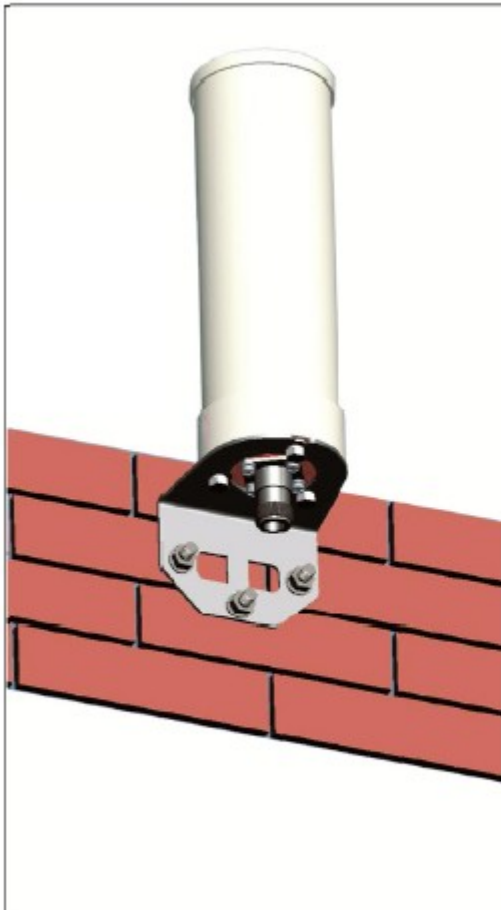
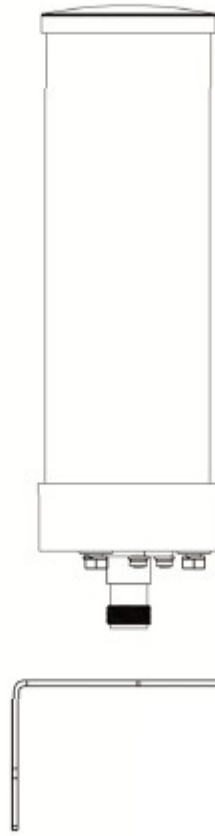
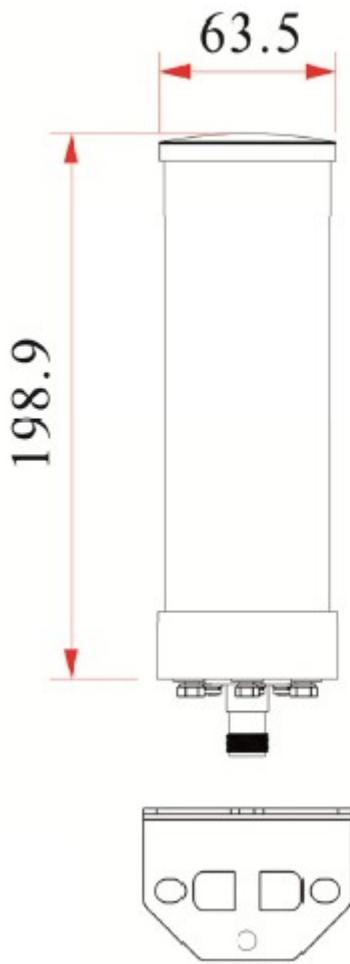
- H 2400MHz
- H 2690MHz
- H 3200MHz
- H 3800MHz
- H 4800MHz
- H 5150MHz
- H 5850MHz



- E 617MHz
- E 750MHz
- E 890MHz
- E 960MHz
- E 1710MHz
- E 2170MHz



- E 2400MHz
- E 2690MHz
- E 3200MHz
- E 3800MHz
- E 4800MHz
- E 5150MHz
- E 5850MHz



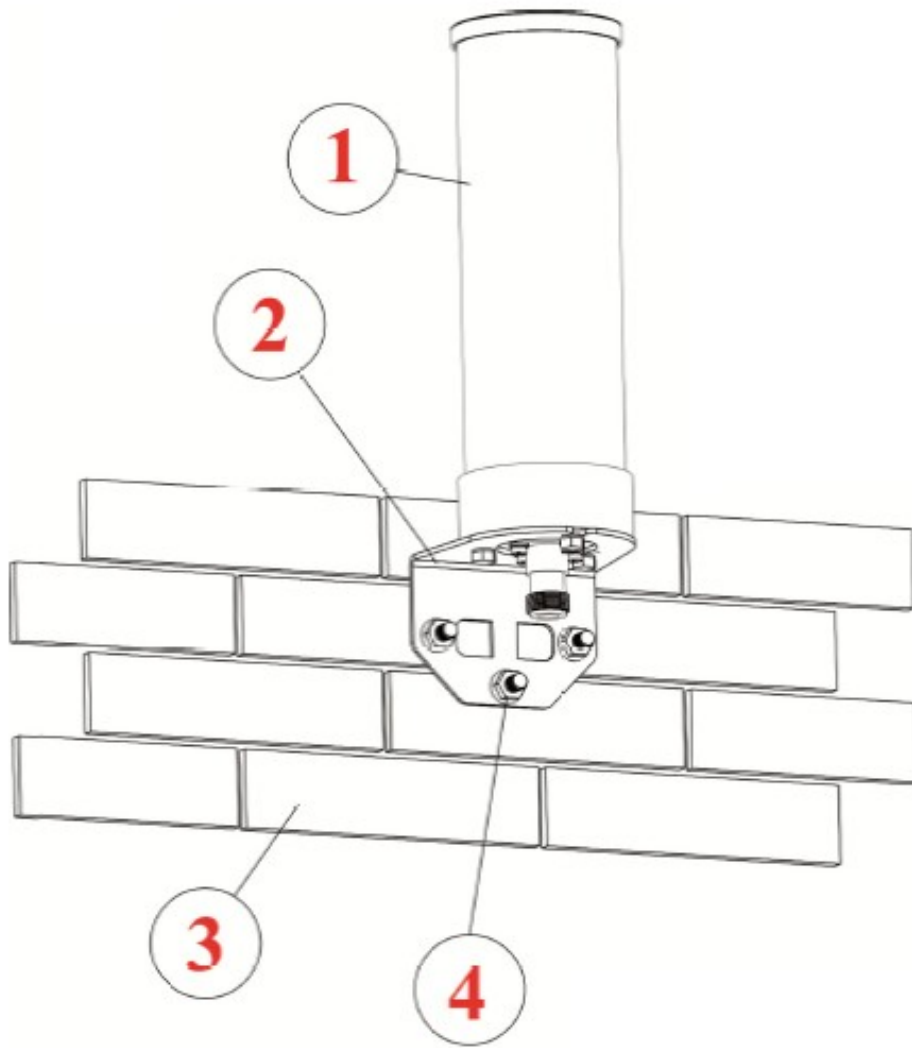
Wall Mount with Frame Anchor



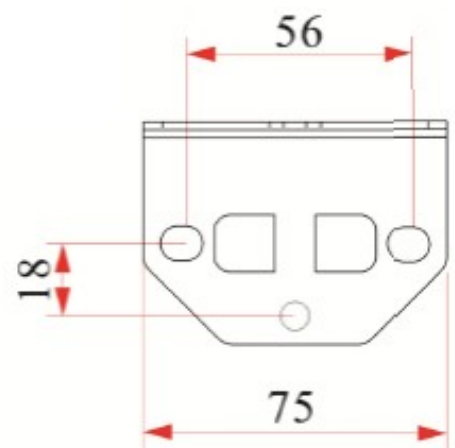
Pole Mount with U-Bolt

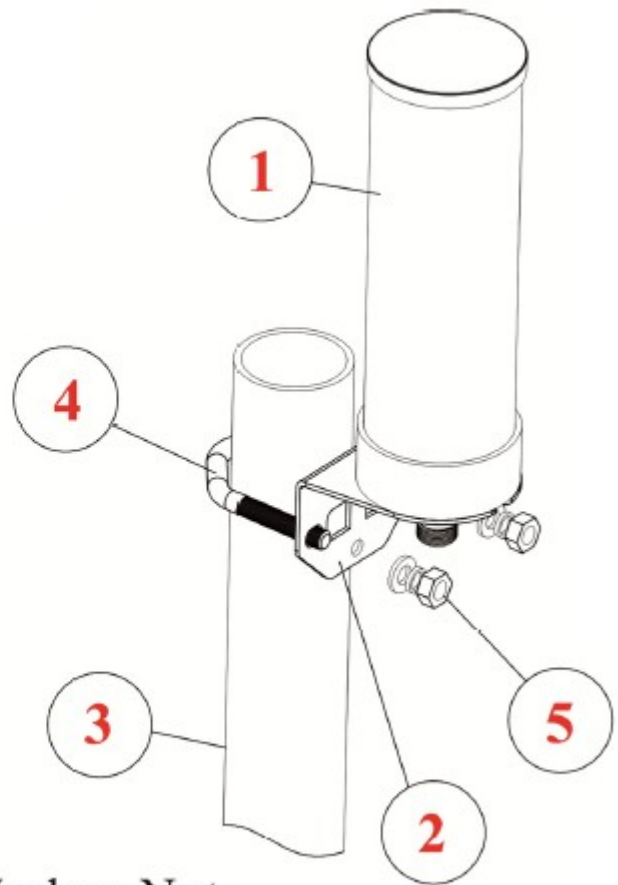


Big Pole with Metal Belt
Metal Belt not supplied

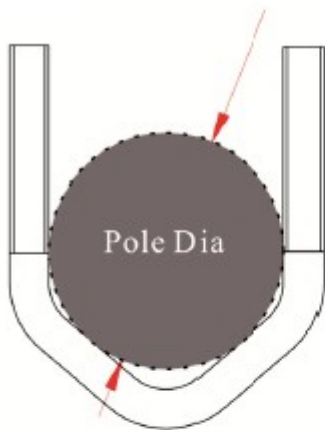


- 1. Antenna
- 2. L-Shaped Clamp
- 3. Solid Wall
- 4. Frame Anchor, 3pcs

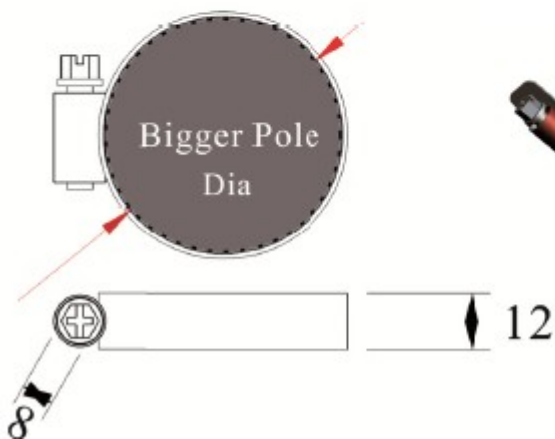




1. Antenna
2. L-shaped Clamp
3. Pole
4. M8 U-Bolt
5. M8 Flat Washer, Spring, Washer, Nut



1. U-Bolt for Pole Dia: $\varnothing 30 \sim \varnothing 48$
2. Customized Diameter Available with Metal Belt, see below



Metal Belt for Pole Diameter above 48mm, not supplied

Diameter Customized